

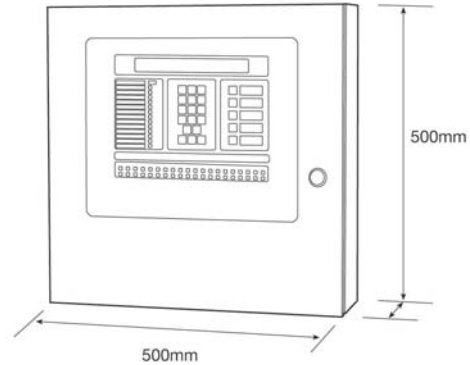
features

- Modular concept
- Simple, robust design
- Intuitive to use
- Easy to maintain
- Easy to expand
- Easy to network
- Easy to install
- Easy to configure

The ZX2e is an intelligent fire alarm control panel. It has been designed and constructed around proven and reliable microprocessor technology. This simple approach has produced a modular, scaleable fire alarm platform suitable for protecting all types of premises.

Designed for maximum flexibility the ZX2e control panel is supported by a complete suite of peripherals and software tools. Information on the location of fires, faults and system status can easily be displayed or printed in multiple locations. Integration to Voice Evacuation Systems, paging systems and third party control systems is supported through a range of peripheral interface units.

This adaptability, support and intelligence means that the ZX2e is suitable for new projects, system expansions, retrofits and system upgrades in all application areas. Offices, industrial units, multi-storey buildings, entertainment venues, industrial plants and hospitals are a few of the many applications that can benefit from the features of the ZX2e intelligent multi-protocol fire alarm control panel.



Charles Avenue, Burgess Hill
West Sussex, RH15 9UF
United Kingdom

Tel: +44 (0) 1444 23 55 56
Fax: +44 (0) 1444 25 44 10
Email: sales@morleyias.co.uk
www.morley-ias.co.uk



A Honeywell Company

ZX2e Fire Alarm Control Panel Data Sheet



For Single Point Solution from Designing to After Sales & Service. Please contact



COMPTRONIC SOLUTIONS

14/2, Old China Bazar Street, 3rd Floor, Suite No. 202, Kolkata - 700 001, INDIA
Phone : 91-33-2242-4094 / 2231-8007 • Telefax : 91-33-2242-0492
E-mail : info@comptronicsolutions.com • Website : www.comptronicsolutions.com

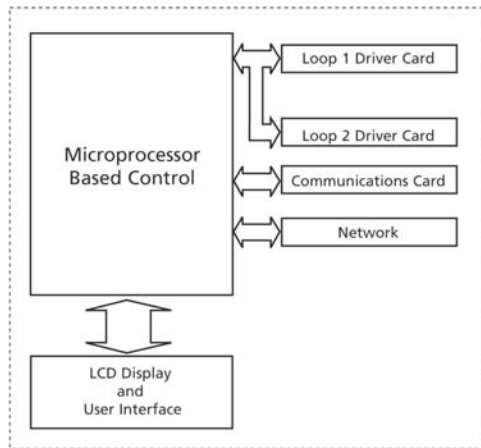
CS # 39

Our Partner



system

The ZX2e control panel forms the heart of the fire detection system. A steel enclosure contains all the required components - microprocessor, power supply plus a clear LCD (Liquid Crystal Display), system status indicators and the control buttons that are the user interface.



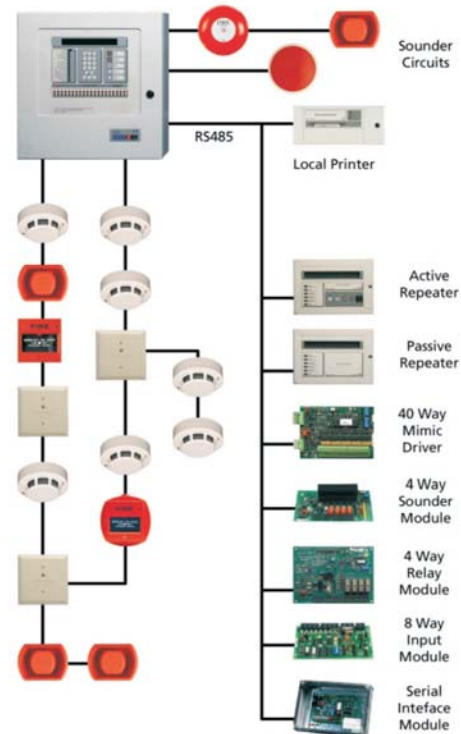
A quick glance enables users to assess the condition of the fire alarm system. Alarm and Fault conditions are highlighted by LEDs and supported by enhanced text descriptions on the LCD display. Clearly labeled buttons allow users to quickly manipulate the system providing both audible and tactile feedback of successful operations.

Accidental operation is prevented by user passcodes that are required to gain access to functions. Basic functions (Evacuate, Reset, Mute, Accept, Silence) are available at one access level whilst more advanced operations are protected by a secondary level passcode. Individual device isolations, test modes and configuration data are all protected by these secondary access levels.

Inside each control panel the microprocessor maintains a log of the events or actions occurring on the system. Fires, Faults, tested devices and diagnostics are all electronically logged for future reference. Remote (or local) printers can easily be connected to provide a paper copy of events as and when they occur or provide a historical record.

The control panel can be configured to support detection protocol by installing the Morley-IAS loop driver cards in the control panel. For each loop the control panel will support up to a maximum of 198 devices i.e. 99 Sensors and 99 modules (call points, monitor, control conventional zone modules and addressable sounders) using Morley-IAS protocol.

The flexibility of the ZX2e design allows the control panel to be connected to a wide variety of peripheral devices. From display repeaters to custom mimic displays, printers, serial data interfaces and switching relay interfaces.



For Single Point Solution from Designing to After Sales & Service. Please contact



COMPTRONIC SOLUTIONS

14/2, Old China Bazar Street, 3rd Floor, Suite No. 202, Kolkata - 700 001, INDIA
 Phone : 91-33-2242-4094 / 2231-8007 • Telefax : 91-33-2242-0492
 E-mail : info@comptronicsolutions.com • Website : www.comptronicsolutions.com

Our Partner