

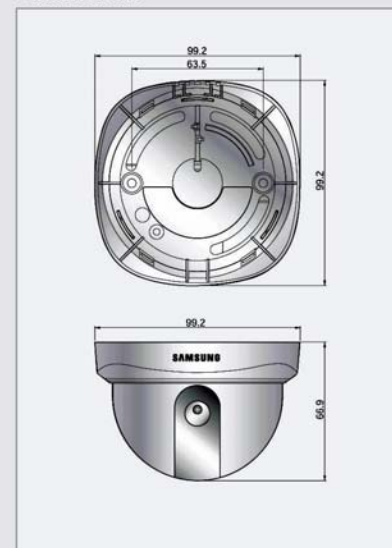
Beautiful Security,  
Mini Dome



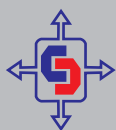
Specifications

Mode	SID-50N	SID-50P
Power Source	12V DC $\pm$ 10%	
Power Consumption	Max. 1.8W	
Image Pick-up Devide	1/3" Super HAD CCD	
Total Pixels	811(H) x 508(V)	795(H) x 596(V)
Effective Pixels	768(H) x 494(V)	752(H) x 582(V)
Scanning System	2 : 1 Interlace	2 : 1 Interlace
	525 Lines / 60 Fields / 30 Frames	625 Lines / 50 Fields / 25 Frames
Synchronization	Internal only	
Scanning Frequency	Horizontal : 15,734KHz	Horizontal : 15,625KHz
	Vertical : 59.94Hz	Vertical : 50Hz
Resolution	540TV lines	
Video Output	CVBS : 1.0Vp-p / 75 $\Omega$	
S / N Ratio (Y signal)	50dB (AGC off, Weight on)	
Min. Illumination	0.5Lux @ F1.2	
Back Light Compensation	Built-in	
SSNR	Low	
White Balance	ATW	
Electronic Shutter Speed	Auto (1/60 ~ 1/120,000)	Auto (1/50 ~ 1/120,000)
Sens-up	Auto ( X4)	
Lens	Fixed lens f=3mm, D=120° F 2.0 (4, 6, 8mm option)	
Monitoring	Pan	Manual 360°
Angle	Tilt	Manual 20° ~ 90°
Operating Temperature	-10°C ~ +50°C	
Operating Humidity	30% ~ 80% RH	
Dimension	99.2( $\phi$ ) x 66.9(H)mm	
Weight	210g	

Dimensions



For Single Point Solution from Designing to After Sales & Service. Please contact



**COMPTRONIC SOLUTIONS**

14/2, Old China Bazar Street, 3rd Floor, Suite No. 202, Kolkata - 700 001, INDIA  
 Phone : 91-33-2242-4094 / 2231-8007 • Telefax : 91-33-2242-0492  
 E-mail : info@comptronicsolutions.com • Website : www.comptronicsolutions.com

*Our Partner*